



BOSCH

Hot Water & Heating

Bosch OptiFlow Professional Internal

Room-sealed continuous flow
water heater and flue components

**The OptiFlow Professional
Internal offers:**

- ▶ 6 Star efficiency
- ▶ Room sealed appliance
- ▶ Inbuilt temperature controller
- ▶ Electronically controlled modulation
- ▶ 50°C locked models available



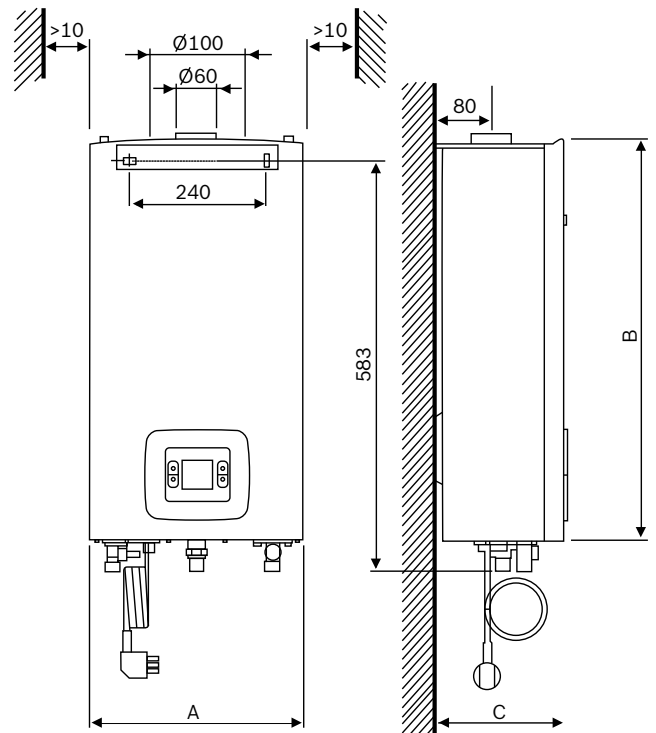
Bosch OptiFlow Professional Internal

- ▶ Room sealed appliance
- ▶ Inbuilt controller
- ▶ 6 star efficiency



Technical Features	Units	12L	16L	20L
Performance				
Maximum gas consumption	MJ	90.0	120.2	149.0
Minimum gas consumption	MJ	11.9	18.0	18.0
Efficiency at 100% of nominal load	%	82.4	82.4	82.4
Data relating to gas – Gas operating pressure				
Natural gas	kPa	1.13	1.13	1.13
LP gas	kPa	2.75	2.75	2.75
Data relating to the water				
Maximum admissible pressure	kPa	1000	1000	1000
Minimum operating pressure	kPa	100	100	100
Start up flow @ 15°C inlet water temperature	l/min	2.0	2.0	2.0
Maximum flow, corresponding to a temperature increase of 25°C	l/min	12.0	16.0	20.0
Maximum inlet temperature	°C	80	80	80
Temperature locked model available (adjustable to deliver 50°C at tap)		Yes	Yes	Yes
Electrical circuit				
Power supply voltage	VAC	230	230	230
Maximum power consumption	W	100	100	100
Warranty Details (Domestic)				
Parts and Labour	Years	3	3	3
Heat Exchanger only	Years	12	12	12

OptiFlow Professional Internal models	Bosch Part Number
55°C set 12L/minute NG model	7736502487
55°C set 12L/minute LPG model	7736502488
50°C locked 12L/minute NG model	7736502489
50°C locked 12L/minute LPG model	7736502490
55°C set 16L/minute NG model	7736502495
55°C set 16L/minute LPG model	7736502496
50°C locked 16L/minute NG model	7736502497
50°C locked 16L/minute LPG model	7736502498
55°C set 20L/minute NG model	7736502499
55°C set 20L/minute LPG model	7736502500
50°C locked 20L/minute NG model	7736502501
50°C locked 20L/minute LPG model	7736502502



Measurements (mm)	A	B	C
12L model	300	570	170
16L model	364	570	175
20L model	364	570	175

Connections			
Water		Gas	
Cold	Hot	NG	LPG
15mm (1/2")	15mm (1/2")	15mm (1/2")	15mm (1/2")

What you need to know

WHICH TYPE OF FLUE TO USE

Bosch OptiFlow Professional flue must be used with these appliances. Any installations with the incorrect flue will not be approved and could pose a risk.

The flue used for the Bosch OptiFlow Professional is a 60/100 Ø coaxial flue. This flue allows the appliance to draw air in from outside, and expel flue gas back outside, making the appliance room sealed.

THE FLUE MATERIALS USED

Inner and outer layers are extruded aluminium. The outer layer is painted white.

CUTTING THE FLUE TO LENGTH

Flue extensions can be cut to length. Care should be taken to remove burrs to maintain the integrity of the seal to the adjoining fitting.

STRAIGHT FLUE LENGTH TABLE

	12/16L	20L
Maximum vertical flue length	12m	8m
Maximum horizontal flue length	10m	6m

REDUCTION IN LENGTHS FOR BENDS

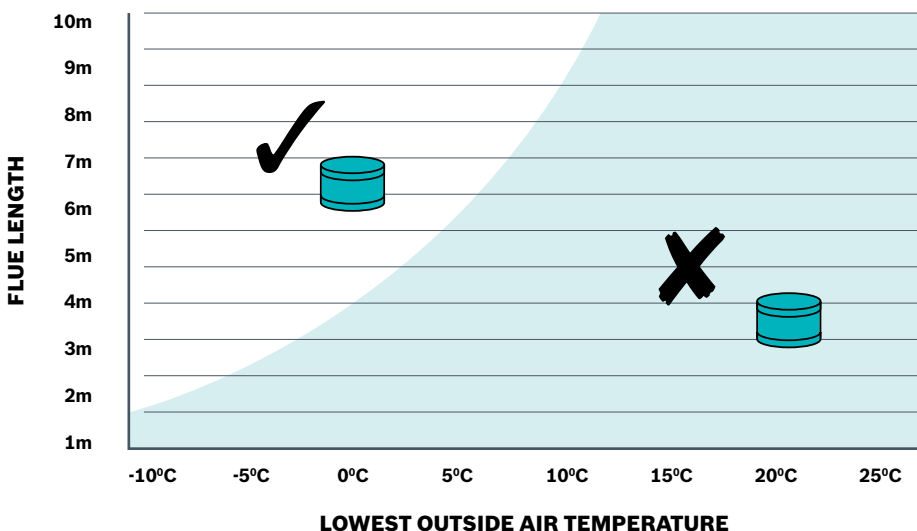
For every bend added to a flue configuration, the maximum acceptable flue length will reduce by the amount shown below

Flue Bend reduction Table	
45° Bend	1m
90° Bend	2m

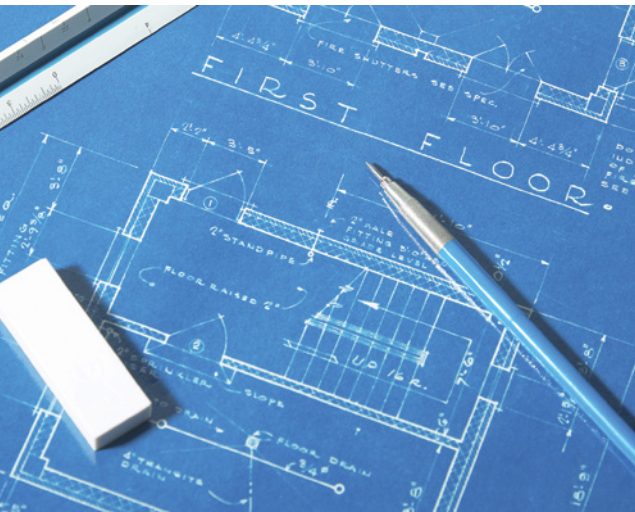
CONDENSATE TRAPS

Condensate is more likely to form in longer lengths of flue, or when outside ambient air temperature is low. The table below shows the length and temperature combinations when a condensate trap should be used.

Condensate trap kits are supplied with all components required for installation.

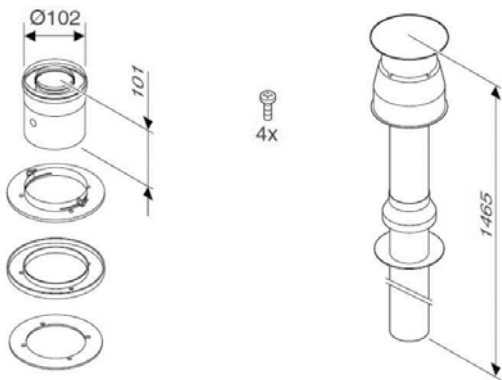


Bosch OptiFlow Professional Flue Configurations

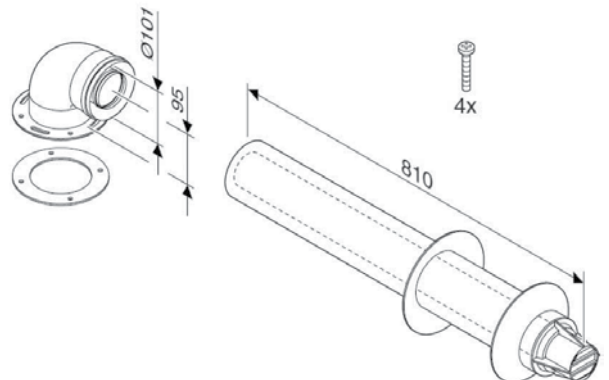
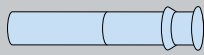


Selecting the Right Flue

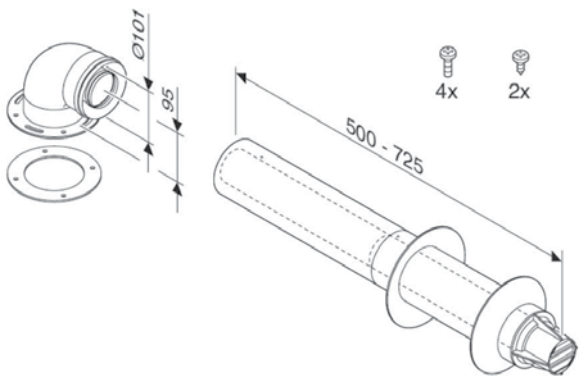
- 1 Map your flue configuration.
- 2 Check that the configuration, including bends, is within the maximum flue limits.
- 3 Calculate whether a condensate trap is required using the table on page 3.
- 4 Choose the flue kit that best suits your application. (The kit includes the appliance adaptor and terminal.)
- 5 Add any flue lengths, bends, or condensate traps required for your configuration.
- 6 Place your order using the Bosch part numbers shown below.



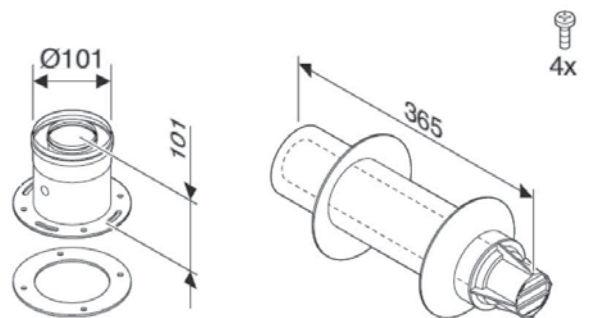
Vertical Flue Kit
Part No: 7716050071



Fixed Length Horizontal Flue Kit
Part No: 7716050064

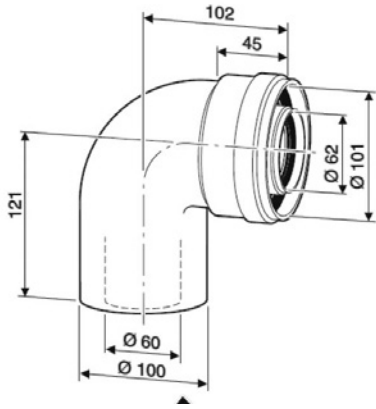


Telescopic Horizontal Flue Kit
Part No: 7716050063



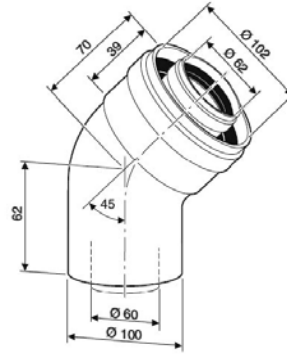
Highline Horizontal Flue Kit
Part No: 7736995083





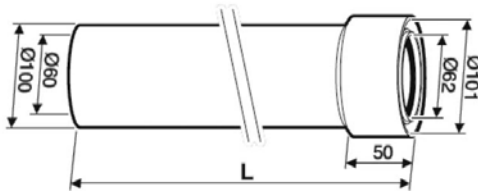
90° elbow

Part No: 7736995079



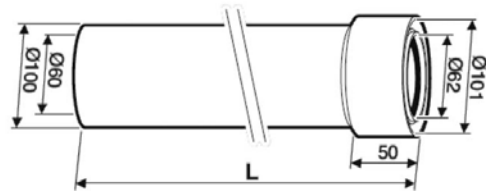
45° elbow

Part No: 7736995071



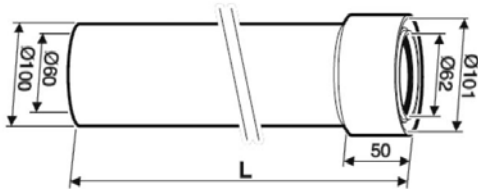
Straight Pipe 350 mm

Part No: 7736995059



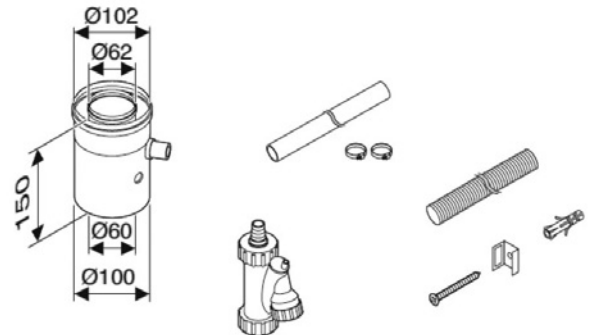
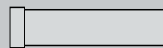
Straight Pipe 750 mm

Part No: 7736995063



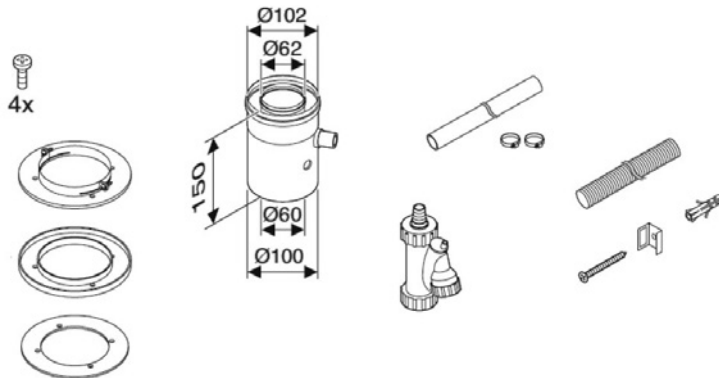
Straight Pipe 1500 mm

Part No: 7736995067



Horizontal Condensate Collector

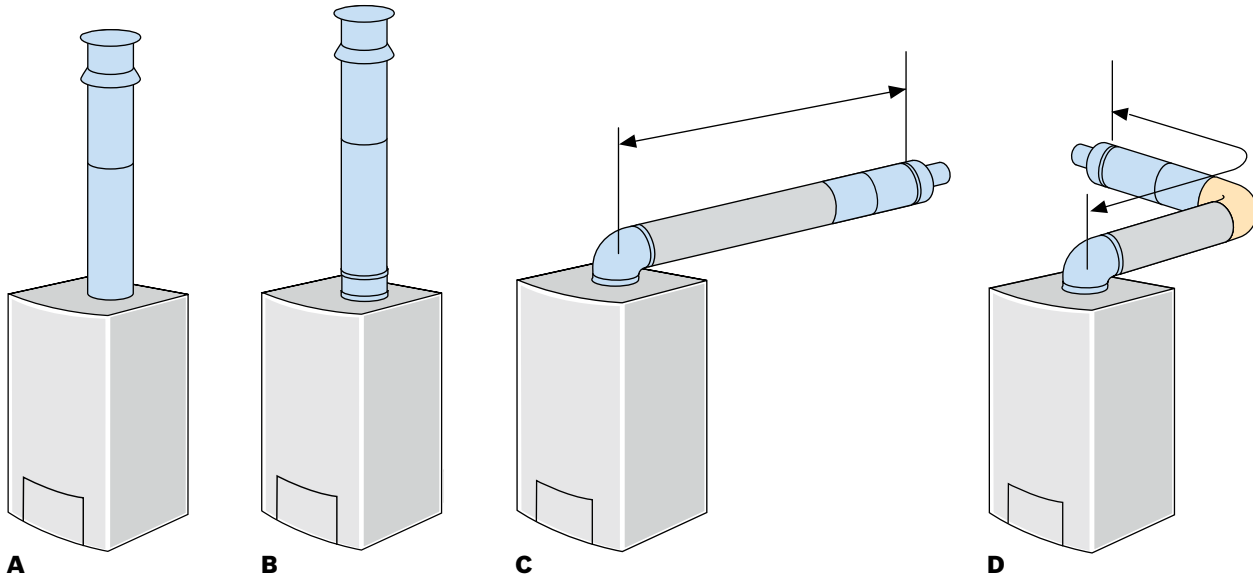
Part No: 7736995087



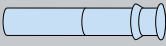
Vertical Condensate Collector

Part No: 7736995089

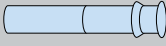







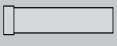
A Standard vertical flue - Minimum length

Components			
Part Numbers		7716050071	
Number of components required			
Ø60/100	1.4m	1	




B Standard vertical flue

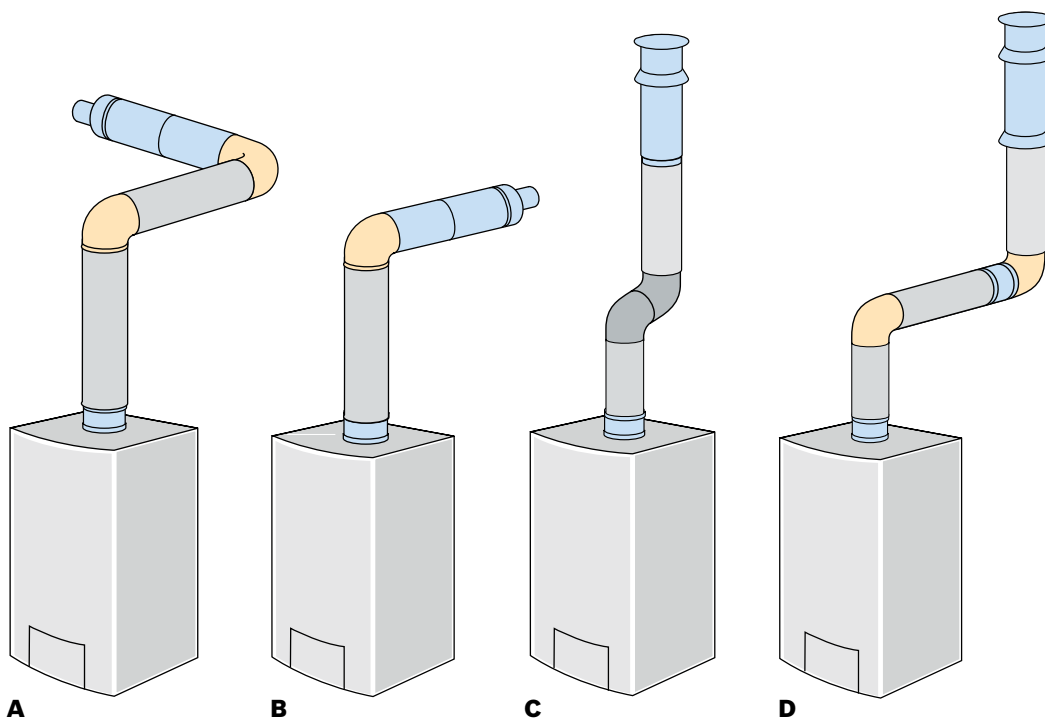
Components				
Part Numbers		7716050071	7736995059 (350mm) 7736995063 (750mm) 7736995067 (1500mm)	7736995089
Maximum length and number of components required				
Ø60 / 100	12m (12/16L) 8m (20L)	1	Up to 10.6m (12/16L) Up to 8.6m (20L)	1 (if required)

C Standard horizontal flue assembly





Components			
Part Numbers		7716050064 (fixed length kit) or 7716050063 (telescopic kit)	7736995059 (350mm) 7736995063 (750mm) 7736995067 (1500mm)
Maximum length and number of components required			
Ø60/100	10m (12/16L) 6m (20L)	1	Up to 9.5m (12/16L) Up to 5.5m (20L)

D Standard horizontal flue assembly with 90°





Components				
Part Numbers		7716050064 (Fixed length kit) or 7716050063 (Telescopic kit)	7736995079	7736995059 (350mm) 7736995063 (750mm) 7736995067 (1500mm)
Maximum length and number of components required				
Ø60 / 100	8m (12/16L) 4m (20L)	1	1	Up to 7.5m (12/16L) Up to 3.5m (20L)



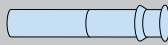



A Extension flue horizontal and upwards

Components					
Part Numbers		7736995083	7736995079	7736995059 (350mm) 7736995063 (750mm) 7736995067 (1500mm)	7736995089
Maximum length and number of components required					
Ø60 / 100	8m (12/16L) 4m (20L)	1	2	Up to 7.5m (12/16L) Up to 3.5m (20L)	1 (if required)

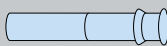




B Extension flue horizontal and upwards

Components					
Part Numbers		7736995083	7736995079	7736995067 (350mm) 7736995063 (750mm) 7736995067 (1500mm)	7736995089
Maximum length and number of components required					
Ø60 / 100	10m (12/16L) 6m (20L)	1	1	Up to 9.5m (12/16L) Up to 5.5m (20L)	1 (if required)

C Vertical flue – two 45° bends

Components					
Part Numbers		7716050071	7736995071	7736995067 (350mm) 7736995063 (750mm) 7736995067 (1500mm)	7736995089
Maximum length and number of components required					
Ø60/100	10m (12/16L) 6m (20L)	1	1 (2 x bends per pack)	Up to 8.6m (12/16L) Up to 4.6m (20L)	1 (if required)

D Vertical flue – two 90° bends

Components						
Part Numbers		771650071	7736995079	7736995067 (350mm) 7736995063 (750mm) 7736995067 (1500mm)	7736995087	7736995089
Maximum length and number of components required						
Ø60 / 100	8m (12/16L) 4m (20L)	1	2	Up to 7.5m (12/16L) Up to 3.5m (20L)	1 (if required)	1 (if required)

Robert Bosch Australia Pty. Ltd.

1555 Centre Rd
Clayton Victoria 3168
Sales Hotline: 1300 30 70 37
Sales Fax: 1300 30 70 38

bosch-climate.com.au

Technical data subject to modification without notice.

Printed in Australia. Any color variations are due to the limitations of the printing process.

Printed on 100% chlorine-free bleached cellulose manufactured in an environmentally friendly process.