

**BOSCH**

Hot Water & Heating

Bosch OptiFlow Professional 12L

The Bosch OptiFlow Professional External is an electronically controlled continuous flow water heater, designed for an easy change-over from Bosch Pilot & HydroPower models

The Bosch OptiFlow Professional 12L External offers:

- ▶ 6 Star efficiency
- ▶ Electronically controlled modulation
- ▶ Designed for easy change-over from Bosch HydroPower and Pilot models
- ▶ 12L, low gas load model
- ▶ 50°C locked options available



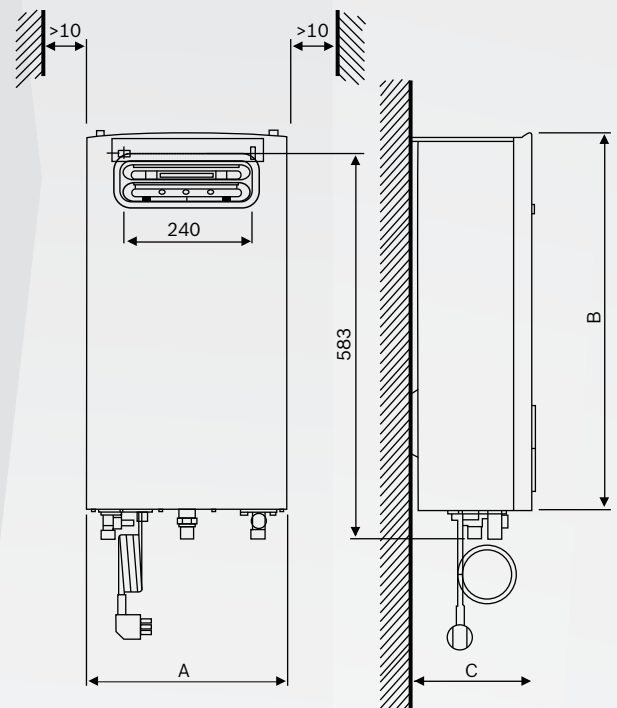
Please contact Bosch on 1300 30 70 37 or visit www.bosch-climate.com.au for more information

Bosch OptiFlow Professional External



- ▶ 6 Star efficiency
- ▶ Electronically controlled modulation
- ▶ Easy change-over from Bosch Pilot and HydroPower models

Technical Features	Units	12L model	
Performance			
Maximum Gas Consumption	MJ	90	
Minimum Gas Consumption	MJ	11.9	
Efficiency at 100% of nominal load	%	82.4	
Data relating to gas - Permissible gas supply pressure			
Natural gas	kPa	1.13	
LP gas	kPa	2.75	
Data relating to the water			
Maximum admissible pressure	kPa	1000	
Minimum operating pressure	kPa	100	
Start up flow @ 15°C inlet water temperature	l/min	2.0	
Maximum flow, corresponding to a temperature increase of 25°C	l/min	12.0	
Maximum inlet temperature	°C	80	
Temperature locked model available (adjustable to deliver 50°C at tap)		Yes	
Electrical circuit			
Power supply voltage	V	230	
Maximum power consumption	W	100	
General data			
Weight (unpacked)	kg	10	
Height	mm	570	
Width	mm	300	
Depth	mm	170	
Warranty Details (Domestic)			
Parts and Labour	Years	3	
Heat Exchanger only	Years	12	
Measurements (mm)			
	A	B	C
12L model	300	568	170



Description	Bosch Part Number
OptiFlow Professional External 12L NG	7736502491
OptiFlow Professional External 12L LPG	7736502492
OptiFlow Professional External 12L 50°C Locked NG	7736502493
OptiFlow Professional External 12L 50°C Locked LPG	7736502494

Please contact Bosch on 1300 30 70 37 or visit www.bosch-climate.com.au for more information