



**BOSCH**

Hot Water & Heating

## **Bosch Condens 5000W**

Condensing hydronic heating boilers, fluing components and accessories

### **The Bosch Condens 5000W range offers:**

- ▶ Condensing technology, saving you money
- ▶ Over 90% energy efficiency
- ▶ 18kW & 30kW system boiler for central heating
- ▶ 37kW combi boiler for heating and hot water
- ▶ Sophisticated controllers available for increased efficiency





# Bosch 5000W Condens Product Range

- ▶ Condensing technology, saving you money
- ▶ Over 90% energy efficiency
- ▶ Sophisticated controllers available for increased efficiency



SPECIFICATIONS	MODELS		
Rated heat output	18 kW	30 kW	37 kW
Part numbers - NG model	7716130186	7738100005	7738100003
Part numbers - LPG model	7716130187	7738100006	7738100004
Ignition	Electronic	Electronic	Electronic
Installation	Internal (requires optional flueing components) or External (requires optional outdoor casing)		
Gas type	NG / LPG	NG / LPG	NG / LPG
Nominal Gas Consumption (NG & LPG) (Mj/H) – Central Heating (CH)	75	130	130
Nominal Gas Consumption (NG & LPG) (Mj/H) – Domestic Hot Water (DHW)	n/a	n/a	160
DHW l/min @ 25°C temp rise	n/a	n/a	21
Energy efficiency at 80°C (CH supply temp)	91%	91%	91%
Gas supply pressure (kPa)	1.13 (NG) 2.75 (LPG)	1.13 (NG) 2.75 (LPG)	1.13 (NG) 2.75 (LPG)
Expansion tank (ltr)	8	10	10
Minimum Working Water Pressure (kPa)	CH: 100 DHW: n/a	CH: 100 DHW: n/a	CH: 100 DHW: 300
Maximum Working Water Pressure (kPa)	CH: 265 DHW: n/a	CH: 265 DHW: n/a	CH: 265 DHW: 1000
Net Weight (KG)	27.1	46.5	48.5
DIMENSIONS			
Height (mm)	700	750	750
Width (mm)	400	440	440
Depth (mm)	330	360	360
DOMESTIC WARRANTY			
Parts and Labour	1 year*	1 year*	1 year*
Heat exchanger (part only)	5 years	5 years	5 years

# What you need to know



## Which type of flue to use

Bosch 5000W flues should be used with these appliances. Any installation with the incorrect flue will not be approved and could pose a risk. The flues used for the Bosch 5000W boilers are coaxial flues and come in two sizes – 60/100mm and 80/125mm.

## The flue materials used

The inner flue is high temperature plastic to cope with the slightly acidic condensate while the outer flue is powder coated metal which means the flue can pass through rooms without impinging on fire regulations.

## Cutting the flue to length

Flue extensions can be cut to length. Care should be taken to remove burrs to maintain the integrity of the seal to the adjoining fitting.

## Cutting the flue to length

HORIZONTAL FLUING	Ø 60/100MM	Ø 80/125MM
<b>18 KW</b>		
Minimum flue length	350mm*	405mm
Maximum flue length	4,600mm	13,000mm
<b>30 KW</b>		
Minimum flue length	350mm*	405mm
Maximum flue length	7,000mm	16,000mm
<b>37 KW</b>		
Minimum flue length	350mm*	405mm
Maximum flue length	5,700mm	17,200mm

\*Can be cut to 130mm. Please refer to instructions

## Reduction in lengths for bends

For every bend added to a flue configuration, the maximum acceptable flue length will reduce by the amount shown

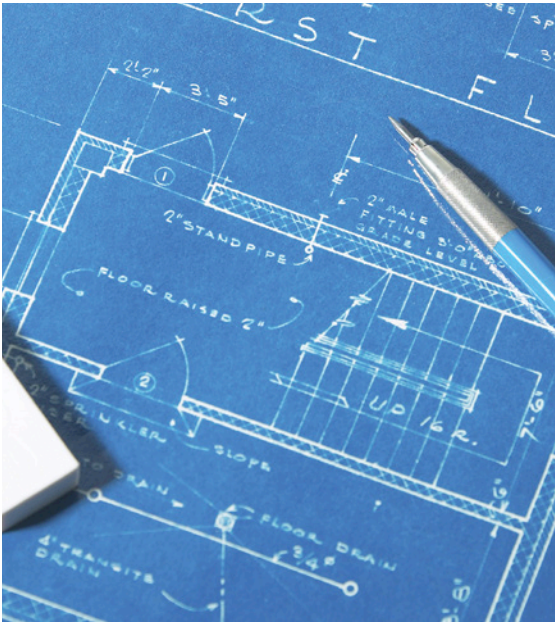
## Vertical fluing

FLUE DIAMETER	Ø 60/100MM	Ø 80/125MM
<b>18 KW</b>		
Minimum flue length	1,090mm	1,365mm
Maximum flue length (inc. adaptor)	6,400mm	15,000mm
<b>30 KW</b>		
Minimum flue length	1,140mm	1,365mm
Maximum flue length (inc. adaptor)	8,000mm	16,000mm
<b>37 KW</b>		
Minimum flue length	1,140mm	1,365mm
Maximum flue length (inc. adaptor)	8,600mm	18,400mm

## FLUE BEND REDUCTION TABLE

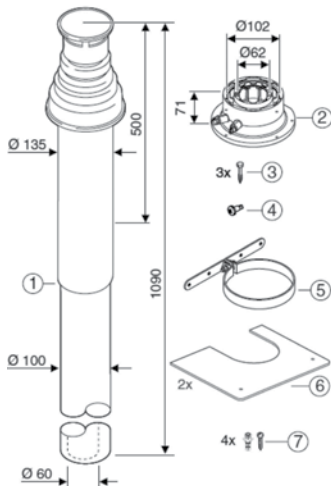
45° Bend	1m
90° Bend	2m

# Bosch 5000W Condens Flue Configurations



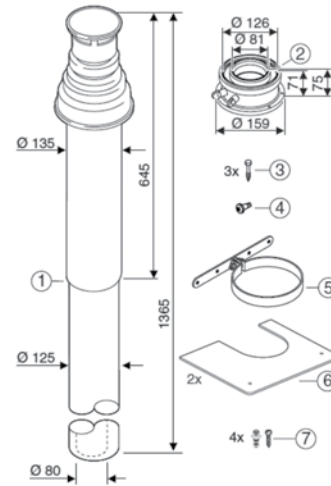
## Selecting the Right Flue

- 1 Map your flue configuration.
- 2 Check that the configuration, including bends, is within the maximum flue limits.
- 3 Choose a flue kit that best suits your application. (The kit includes the appliance adaptor and terminal.)
- 4 Add any flue lengths and bends required for your configuration.
- 5 Place your order using the Bosch part numbers shown below.



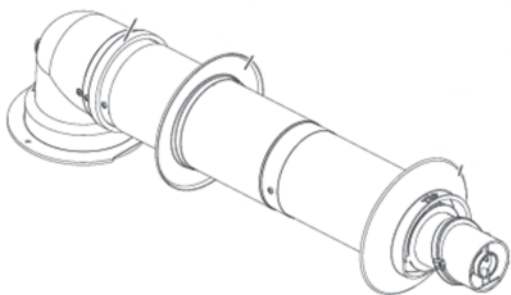
**Ø 60/100MM VERTICAL FLUE KIT**

Part No: 7719002430



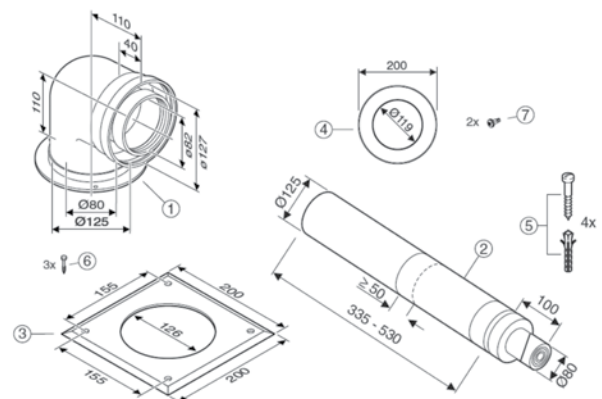
**Ø 80/120MM VERTICAL FLUE KIT**

Part No: 7719002431



**Ø 60/100MM HORIZONTAL TELESCOPIC FLUE KIT**

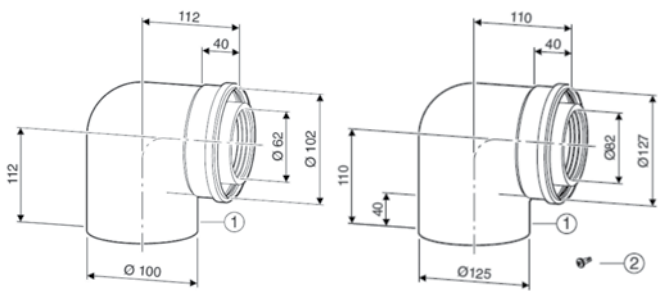
Part No: 7716191082



**Ø 80/125MM HORIZONTAL TELESCOPIC FLUE KIT**

Part No: 7719003702

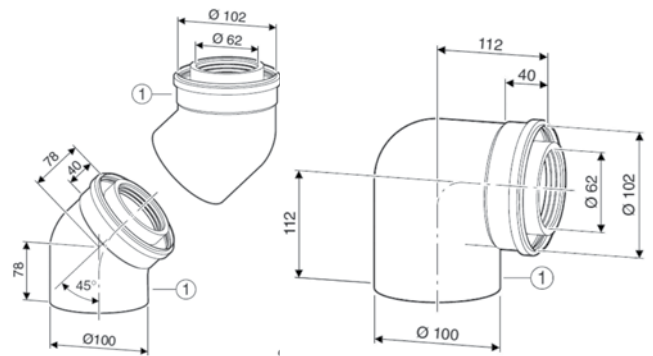




**90° ELBOW**

Ø 60/100mm Part No: 7716191084

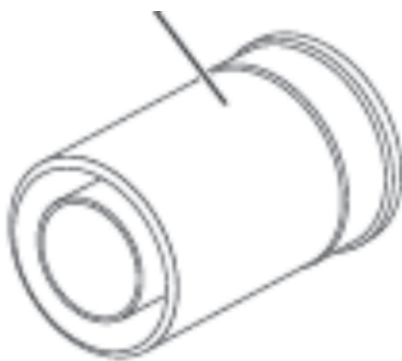
Ø 80/125mm Part No: 7719003664



**45° ELBOW**

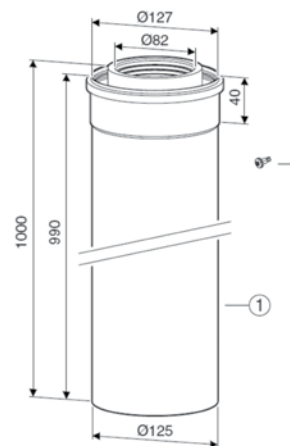
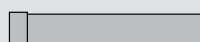
Ø 60/100mm Part No: 7716191085

Ø 80/125mm Part No: 7719003665



**STRAIGHT PIPE 220MM**

Ø 60/100mm Part No: 7716191133

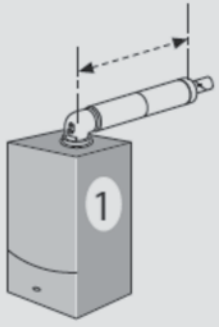

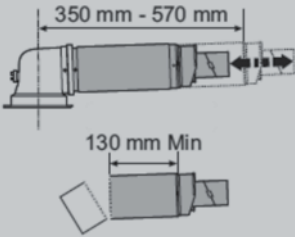
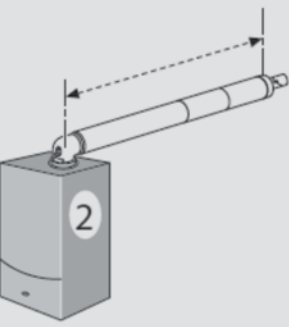
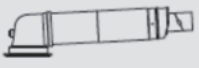
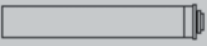
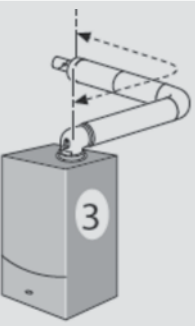



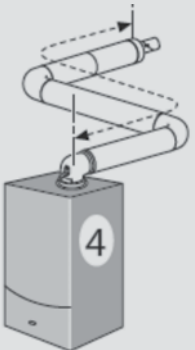

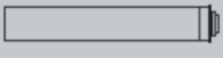



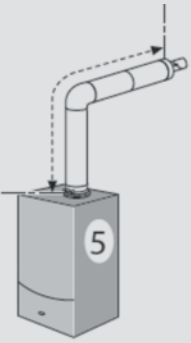

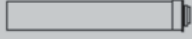


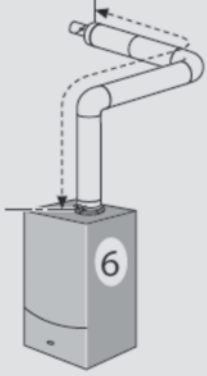

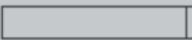


**STRAIGHT PIPE 960MM**

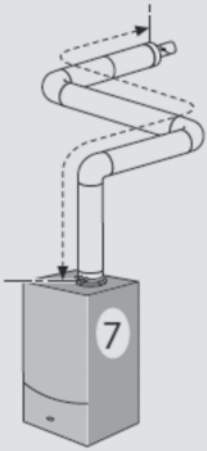

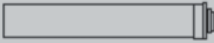


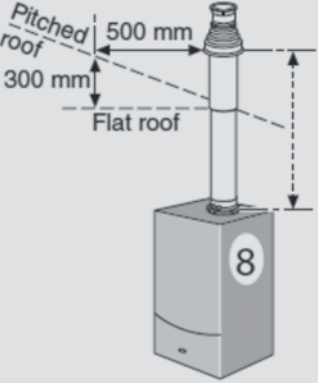

Ø 60/100mm Part No: 7716191083

Ø 80/125mm Part No: 7719003666

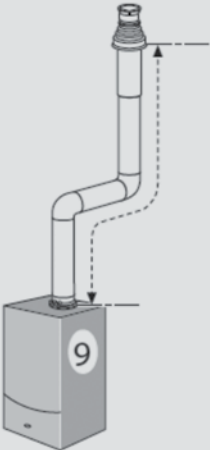

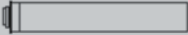

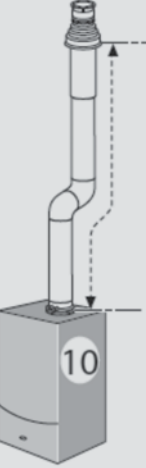

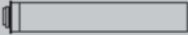



FLUING OPTION		Ø 60/100MM	Ø 80/125MM
<b>1. STANDARD HORIZONTAL FLUE ASSEMBLY</b>			
		7716191028	7719003702
			
<b>2. HORIZONTAL FLUE ASSEMBLY WITH EXTRA LENGTH</b>			
		7716191028	7719003702
		771619133 (220mm) 7716191083 (960mm)	7719003666 (960mm)
<b>3. HORIZONTAL FLUE ASSEMBLY WITH 90° BEND</b>			
		7716191028	7719003702
		771619133 (220mm) 7716191083 (960mm)	7719003666 (960mm)
		7716191084	7719003664
<b>4. HORIZONTAL FLUE ASSEMBLY WITH TWO 90° BENDS</b>			
		7716191028	7719003702
		771619133 (220mm) 7716191083 (960mm)	7719003666 (960mm)
		7716191084 x 2	7719003664 x 2

FLUING OPTION	Ø 60/100MM	Ø 80/125MM	
<b>5. HIGHLINE HORIZONTAL FLUE</b>			
		7716191028	7719003702
		771619133 (220mm) 7716191083 (960mm)	7719003666 (960mm)
		7716191084	7719003664
		7719002432	7719002433
<b>6. EXTENSION FLUE HORIZONTAL AND UPWARDS</b>			
		7716191028	7719003702
		771619133 (220mm) 7716191083 (960mm)	7719003666 (960mm)
		7716191084 x 2	7719003664 x 2
		7719002432	7719002433

FLUING OPTION	Ø 60/100MM	Ø 80/125MM	
<b>7. EXTENSION FLUE HORIZONTAL WITH TWO BENDS</b>			
		7716191028	7719003702
		771619133 (220mm) 7716191083 (960mm)	7719003666 (960mm)
		7716191084 x 3	7719003664 x 3
		7719002432	7719002433
<b>8. STANDARD VERTICAL FLUE</b>			
		7719002430	7719002431



FLUING OPTION	Ø 60/100MM	Ø 80/125MM	
<b>9. VERTICAL FLUE ASSEMBLY WITH TWO 90° BENDS</b>			
		7719002430	7719002431
		771619133 (220mm) 7716191083 (960mm)	7719003666 (960mm)
		7716191084 x 2	7719003664 x 2
<b>10. VERTICAL FLUE ASSEMBLY WITH TWO 45° BENDS</b>			
		7719002430	7719002431
		771619133 (220mm) 7716191083 (960mm)	7719003666 (960mm)
		7716191085 x 2	7719003665 x 2

# Bosch 5000W Condens Controllers



- ▶ Allows for consistent heating and hot water\* temperature
- ▶ Options, flexibility and increased efficiency
- ▶ Wide range of controllers, including simple programmers, wireless programmers and intelligent controls

\* 37 kW model only



## Bosch DT10RF digistat

Wireless controller

- ▶ Radio Frequency control – no wiring required
- ▶ 24-hour programmable room thermostat
- ▶ Set different temperatures for up to 6 different time periods
- ▶ No separate room thermostat is required

## Bosch DT20RF

Wireless controller

- ▶ Radio-frequency control – no wiring required
- ▶ Twin channel for central heating and hot water
- ▶ Set up to 3 different time periods a day
- ▶ Room thermostat provides the temperature control

## DT20

Digital Twin Channel Programmer

- ▶ Plugs into the boiler fascia
- ▶ 3 separate time periods for both heating and hot water
- ▶ Use either the built in preset programs, or choose your own settings



## Bosch FR10

Intelligent Room Thermostat

- ▶ Enables load compensation (adjustment of flow temperature in line with set temperature)
- ▶ Offers approx. 11% energy savings compared to standard on/off controls



## Bosch FR120

Programmable Room Thermostat

- ▶ Load compensation for heating and time control of hot water systems
- ▶ Built in programming, no need for additional controller
- ▶ Six weekly heating programs with two switching points
- ▶ Optimum Start – calculated the time needed to activate the boiler to precisely achieve the required temperature at the required time each day



## Bosch FW120

Weather Compensation Controller

- ▶ Enables the boiler to anticipate changes in heating demand in relation to external temperatures
- ▶ Comprises programmable indoor unit and external sensor

# Bosch 5000W Condens Accessories

## Plume Management

A clever solution in order to ensure that the plume of moist vapour that is created by condensing heating boilers at times, will not disturb your neighbours or anything in the proximity of the boiler.



**60MM PLUME MANGEMENT KIT**

Part No: 7716191086



**60MM PLUME MANGEMENT 1M EXTENSION**

Part No: 7716191087



**60MM PLUME MANGEMENT 90° ELBOW**

Part No: 7716191088



**60MM PLUME MANGEMENT 45° ELBOW (2 PACK)**

Part No: 7716191089



## Outdoor Installation

If there is no space for an internal installation eg in the laundry or kitchen, the BOC5000W20 outdoor casing, together with the 60/100mm horizontal telescopic flue kit (7716191082) allows for an external installation.



**BOSCH**

Hot Water & Heating

**Robert Bosch Australia Pty. Ltd.**

1555 Centre Rd  
Clayton Victoria 3168  
Sales Hotline: 1300 30 70 37  
Sales Fax: 1300 30 70 38

**[bosch-climate.com.au](http://bosch-climate.com.au)**

Technical data subject to modification without notice.  
Printed in Australia. Any color variations are due to the limitations of the printing process.  
Printed on 100% chlorine-free bleached cellulose manufactured in an environmentally friendly process.