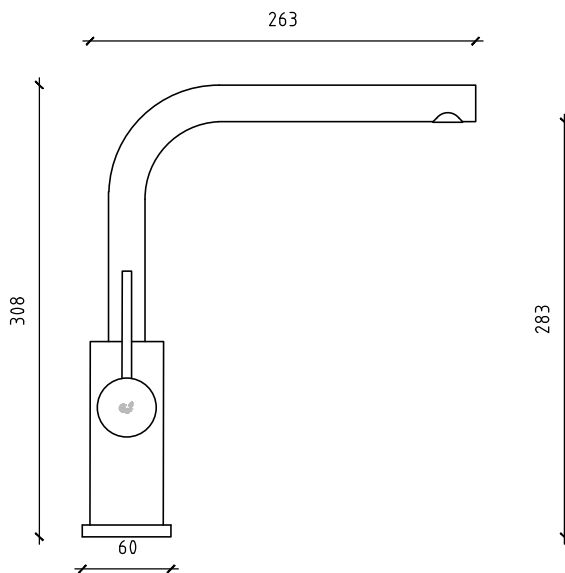
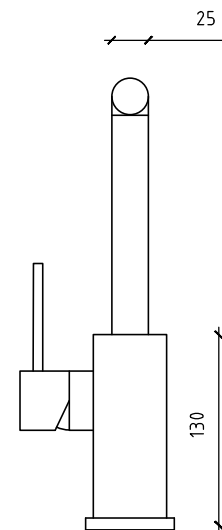


# TARTANA

## REGULAR



side elevation



front elevation

### SPECIFICATION

**Brand Name :** a2f  
**Distributor Name :** a2f australia  
**Model Name :** Tartana R  
**Model ID :** K091000001A0  
**Product Type :** Mixing  
**Product Description :** Single lever mixer  
**Application:** Sink  
**Inlet:** 1/2 flexible hoses 105W0031NN1  
**Outlet :** Flow controlled aerator  
**Material :** Stainless Steel  
**Flow Controller Designation:** 44.3251.010  
**Water Shut Off Design :** Ceramic disc cartridge  
**WELS:** #1351 5.0L/min 5star  
**Watermark:** #WMKA22215  
**Warranty:** 5 Year guarantee on any manufacturing defects

### CHECK LIST

1. Temperature of hot water inlet:  
Recommended: 60 °C (140 °F) <>  
Maximum: 75 °C (167 °F)
2. Water Pressure: Recommended: 3 bar (300kPa – 43.5 PSI) <> Range from min. 1 bar (100kPa – 14.5 PSI) to max. 5 bar (500kPa – 72.5 PSI)
3. Install upstream a pressure reducing valve (PRV) calibrated at 3/3.5 bar (300/350kPa) (Recommended)
4. Balancing the pressure of hot and cold water (Recommended)
5. Tap installation hole diameter: 35mm (1 3/8")
6. Maximum thickness of the work surface at the point of attachment 56 mm (2 7/32") with escutcheon mounted and 64 mm (2 17/32") without escutcheon mounted.