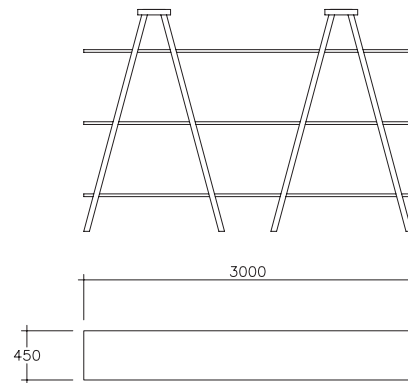
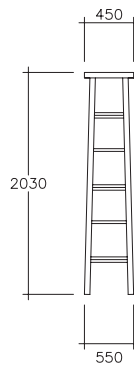


SCALA

Australian designed
& manufactured



Dimensions



Frame
Solid American Oak
or Solid Victorian
Ash. Various satins
available.

Cushioning
N/A

Manufacturer
Arthur G

Warranty
10 year structural
warranty

Environmental
GECA certified
manufacturer

arthurG

arthurg.com.au
sales@arthurg.com.au

Head Office
1 Stafford Street
Huntingdale
Victoria 3166
T+61 3 9543 4633

Showroom
618 Church Street
Richmond
Victoria 3121
T+61 3 9429 6696

Showroom
1/8 Hill Street
Surry Hills 2010
New South Wales
T+61 2 9332 1488

Showroom
207 Stirling Hwy
Claremont 6010
Western Australia
T+61 8 9286 1433